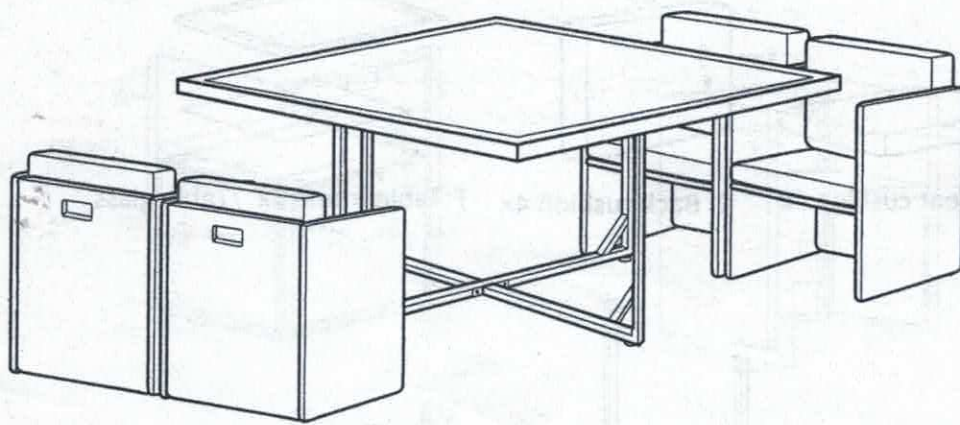


PARTS AND HARDWARES



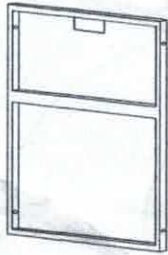
ASSEMBLY INSTRUCTIONS

CAMARO 5PC OUTDOOR SOFA SET

PARTS AND HARDWARES



A: Armrest 8x



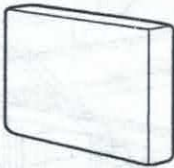
B: Backrest 4x



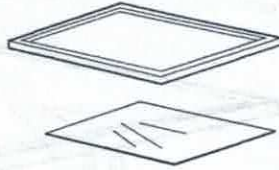
C: Seat Panel 4x



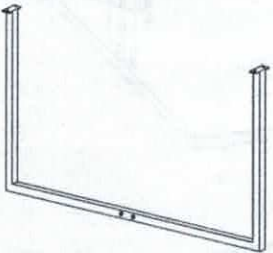
D: Seat cushion 4x



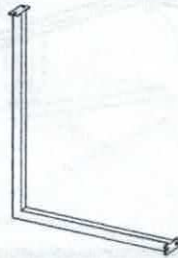
E: Back cushion 4x



F: Table frame 1x /Table glass



G: Leg Frame 1x



H: Leg Frame 2x



J: M6x15mm 8x



K: M6x40mm 40x

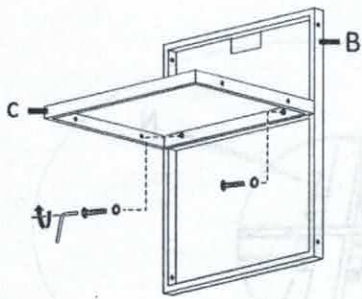


N: M6x45mm 2x

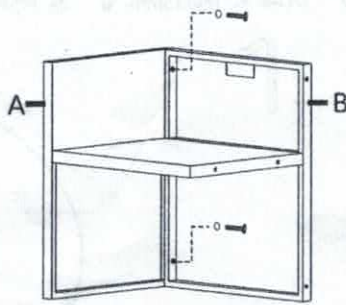


O: 2x

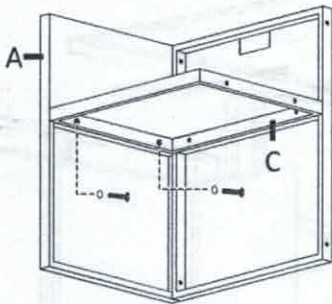
① 2x 2x M6x40mm 1x



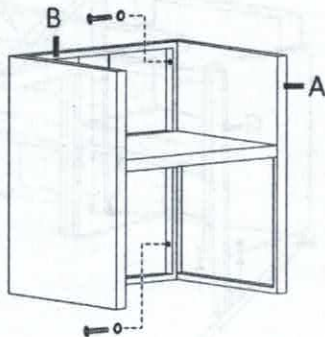
② 2x 2x M6x40mm 1x



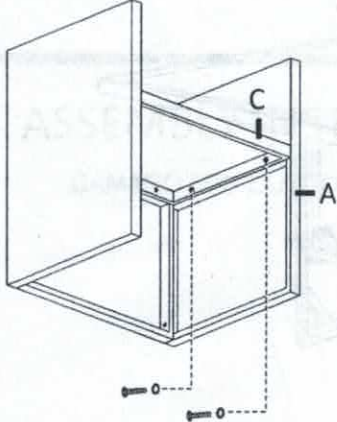
③ 2x 2x M6x40mm 1x



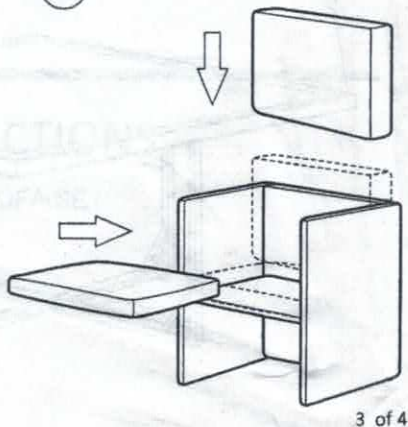
④ 2x 2x M6x40mm 1x



⑤ 2x 2x M6x40mm 1x



⑥



1

12x 8x M6x15mm 2x M6x45mm 2x

